



# Exhaust System Solutions

For Military Applications



## Custom Solutions for the Unique Demands of Military Ground Vehicles and Tactical Quiet Generator Sets

We are here to build an optimized, durable system that will help your vehicle meet the unique demands of military requirements. Our mufflers, silencers and exhaust systems reduce noise and back pressure, increase fuel economy and extend service life.

Proper Exhaust Solutions better protect the warfighter and increase vehicle stealth through engine noise and heat reduction. Donaldson utilizes advanced computational fluid dynamic (CFD) and finite element analysis (FEA) software to optimize a durable exhaust solution with minimal impact to your vehicle's weight and space claim.

### Exhaust Solution Integration

Donaldson supplies full turbocharger to tailpipe (T-to-T) Exhaust Systems fully integrated into your vehicle package and system requirements.

- Available space claim optimization
- Mounting and Coupling
- Vibration isolation – engine and chassis decoupling
- Integrated features (exhaust brake, flexible bellows, etc.)
- Integration with other vehicle systems (scavenge, smoke generators, etc.)

### Full System Development

Donaldson has over 60 years experience designing application specific exhaust solutions for vehicle OEMs to maximize the vehicles performance capability.

- Engine silencing
- Thermal protection and vehicle heat signature
- System backpressure reduction
- Material selection

### Exhaust Scavenge Ejector for Air Filtration Optimization

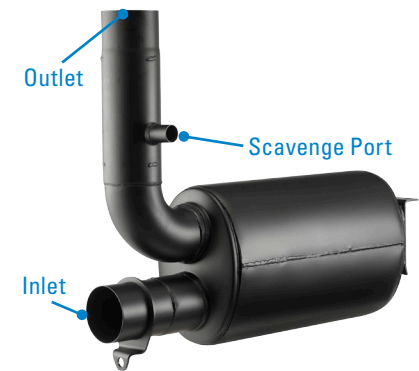
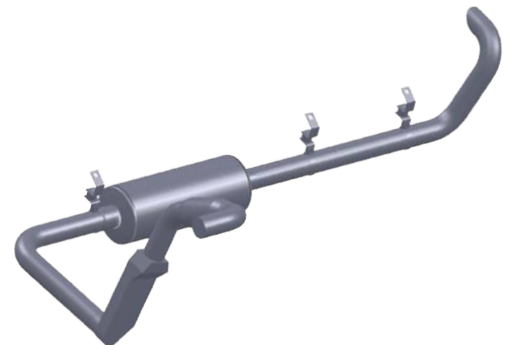
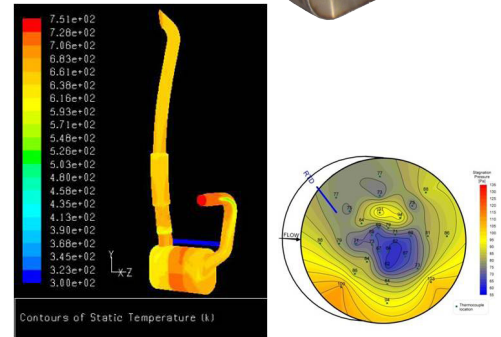
Donaldson Exhaust Systems can be integrated with an in-pipe or in-muffler exhaust scavenge ejector providing large increases in air filter life over standard systems.

#### Exhaust Ejector vs. Electric Scavenge Fans

- Durability – lasts life of exhaust system
- Cost – integrated into exhaust system at little additional cost
- Maintenance – none
- Weight – less than 2 lbs.
- Availability – shorter leadtime to produce at large quantities
- Space Claim – integrated into existing exhaust so there is virtually no additional space claim needed
- Simplicity – no moving parts

#### In-Service Military Ground Vehicles Utilizing Exhaust Ejector Scavenge

- |                 |           |           |
|-----------------|-----------|-----------|
| • M2/M3 Bradley | • CVR(T)  | • AAV7A1  |
| • FMTV          | • Warrior | • LVSR    |
| • M109 Paladin  | • LAV     | • C2V     |
| • MRAP          | • M113A3  | • Stryker |



Donaldson Company, Inc.  
PO Box 1299  
Minneapolis, MN  
55440-1299

[www.donaldson.com](http://www.donaldson.com)  
[www.donaldson.com/emissions](http://www.donaldson.com/emissions)

Brochure No. F111398 (10/2012) ENG  
© 2012 Donaldson Company, Inc. All rights reserved. Printed in the U.S.A. Donaldson Company, Inc. reserves the right to change or discontinue any model or specification at any time and without notice.

North America  
Sales: 866-675-2847  
Email: [emissionsales@donaldson.com](mailto:emissionsales@donaldson.com)

Technical Support: 866-617-8733  
Email: [emissions@donaldson.com](mailto:emissions@donaldson.com)